



US00D797612S

(12) **United States Design Patent** (10) **Patent No.:** **US D797,612 S**
Carter et al. (45) **Date of Patent:** **** Sep. 19, 2017**

(54) **BICYCLE DEVICE MOUNT**
 (71) Applicant: **DOGEARS LLC**, Logan, UT (US)
 (72) Inventors: **David Maurice Carter**, North Logan, UT (US); **Kent Mathews Carlsen**, Providence, UT (US); **Robert Jared Streater**, Smithfield, UT (US)
 (73) Assignee: **DOGEARS, LLC**, Logan, UT (US)

D354,461 S * 1/1995 Davidson D12/126
 D354,462 S * 1/1995 Davidson D12/126
 D354,464 S * 1/1995 Davidson D12/127
 D363,259 S * 10/1995 Davidson D12/126
 D363,691 S * 10/1995 Davidson D12/126
 D364,129 S * 11/1995 Davidson D12/126
 D367,444 S * 2/1996 Davidson D12/126
 D376,565 S * 12/1996 Davidson D12/126
 D377,157 S * 1/1997 Davidson D12/126
 D377,774 S * 2/1997 Davidson D12/126
 D400,128 S * 10/1998 Golden D12/126
 D556,643 S * 12/2007 Baker D12/114

(**) Term: **15 Years**

* cited by examiner

(21) Appl. No.: **29/552,143**

Primary Examiner — George D. Kirschbaum

Assistant Examiner — Clese Moore, Jr.

(22) Filed: **Jan. 20, 2016**

(74) *Attorney, Agent, or Firm* — Preston P. Frischknecht; Project CIP

(51) **LOC (10) Cl.** **12-11**

(52) **U.S. Cl.**
USPC **D12/114**

(57) **CLAIM**

The ornamental design for a bicycle device mount, as shown.

(58) **Field of Classification Search**
 USPC D12/114, 115, 111, 117, 120, 126, 223, D12/400, 407, 408, 415, 420
 CPC B62J 11/00; B62J 9/00; B62J 2099/0026; B62J 2099/0033
 See application file for complete search history.

DESCRIPTION

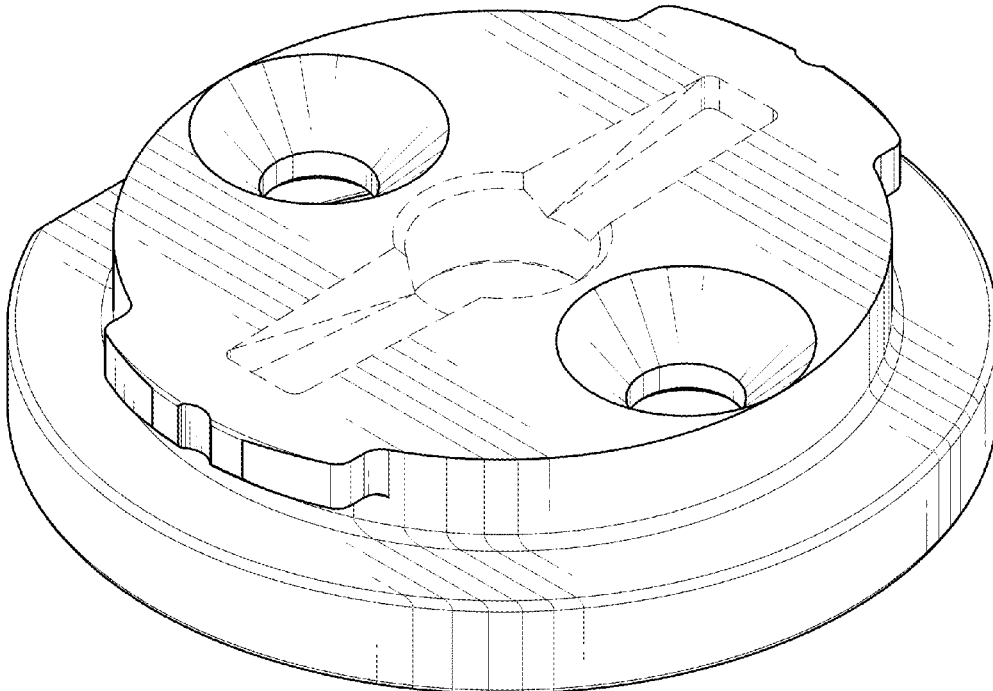
FIG. 1 is a top perspective view of a bicycle device mount; FIG. 2 is a bottom perspective view showing the design; FIG. 3 is a top side view showing the design; FIG. 4 is a bottom side view showing the design; FIG. 5 is a right side view showing the design; FIG. 6 is a left side view showing the design; FIG. 7 is a front view showing the design; and, FIG. 8 is a bottom view showing the design.

(56) **References Cited**

U.S. PATENT DOCUMENTS

D294,923 S * 3/1988 Nagy D12/126
 D301,447 S * 6/1989 Snyder D12/223
 D301,448 S * 6/1989 Snyder D12/223

1 Claim, 6 Drawing Sheets



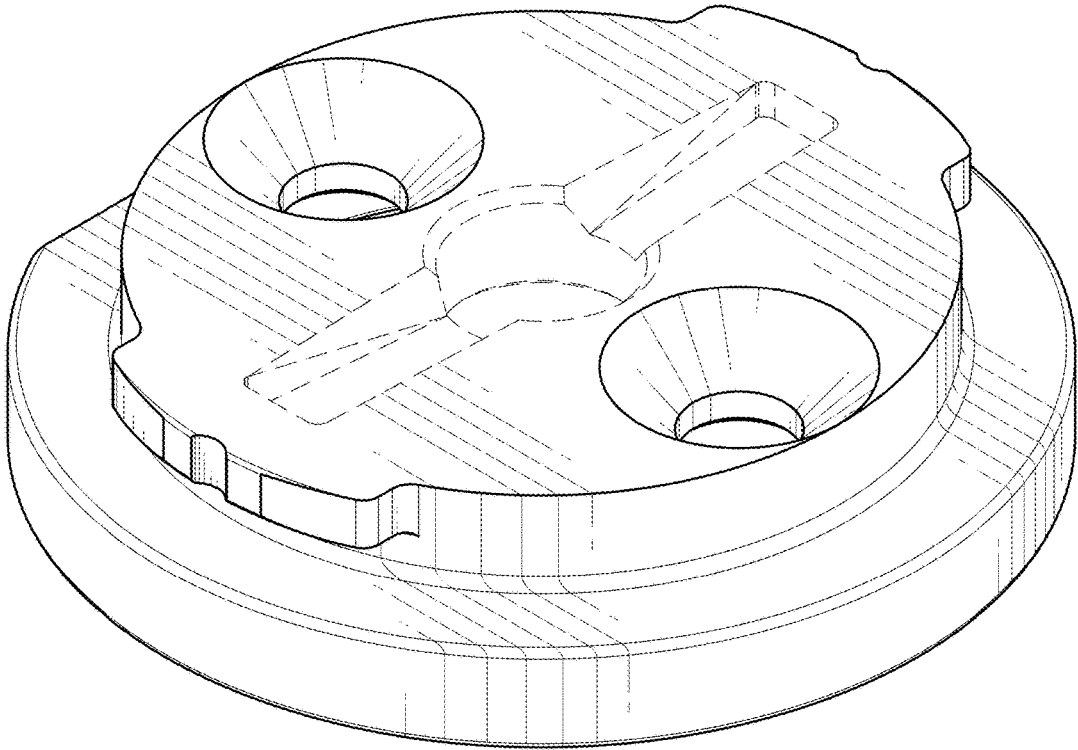


FIG. 1

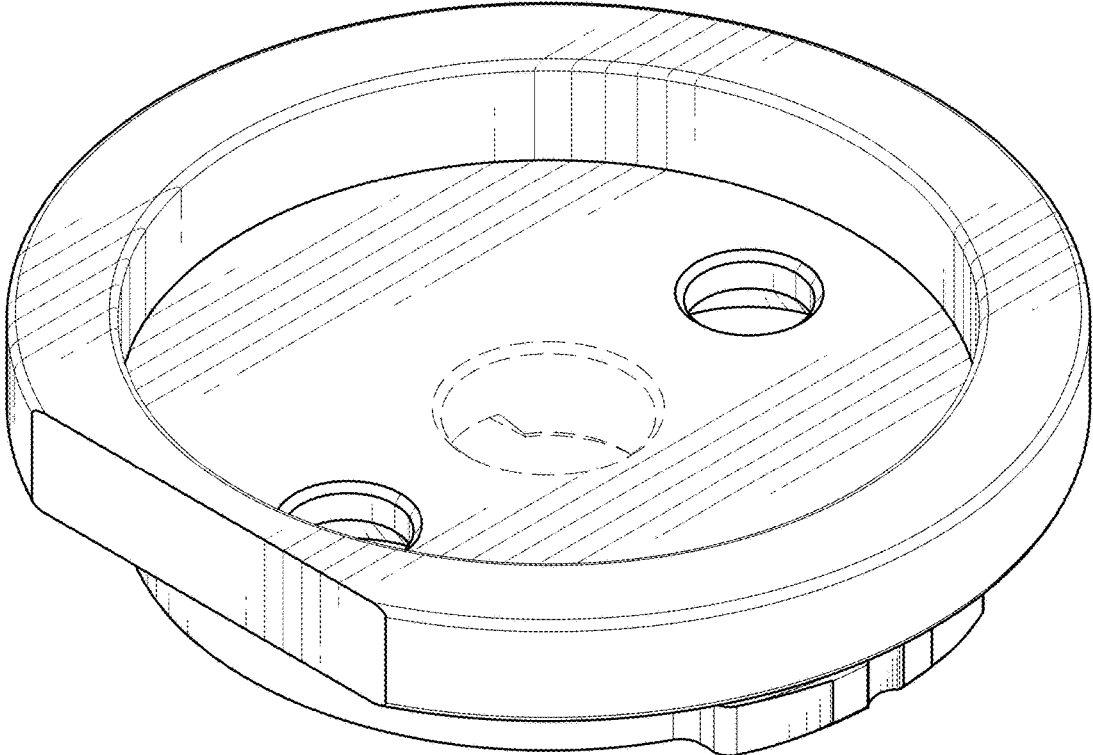


FIG. 2

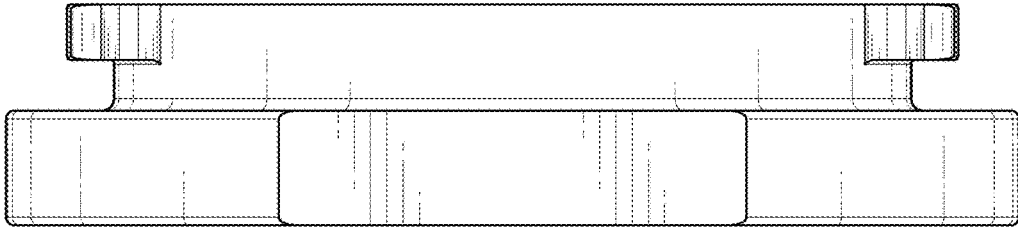


FIG. 3

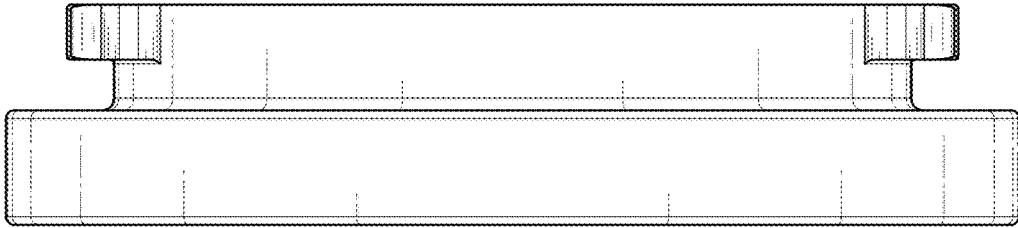


FIG. 4

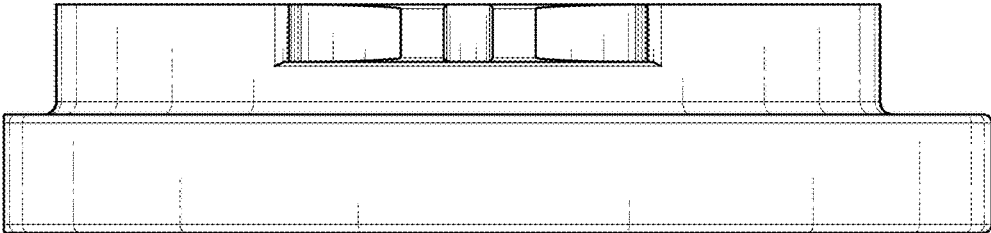


FIG. 5

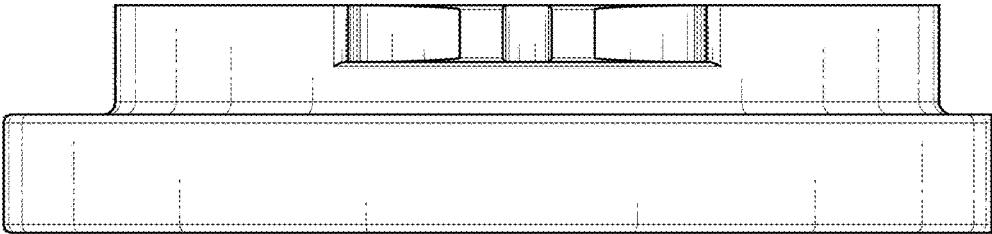


FIG. 6

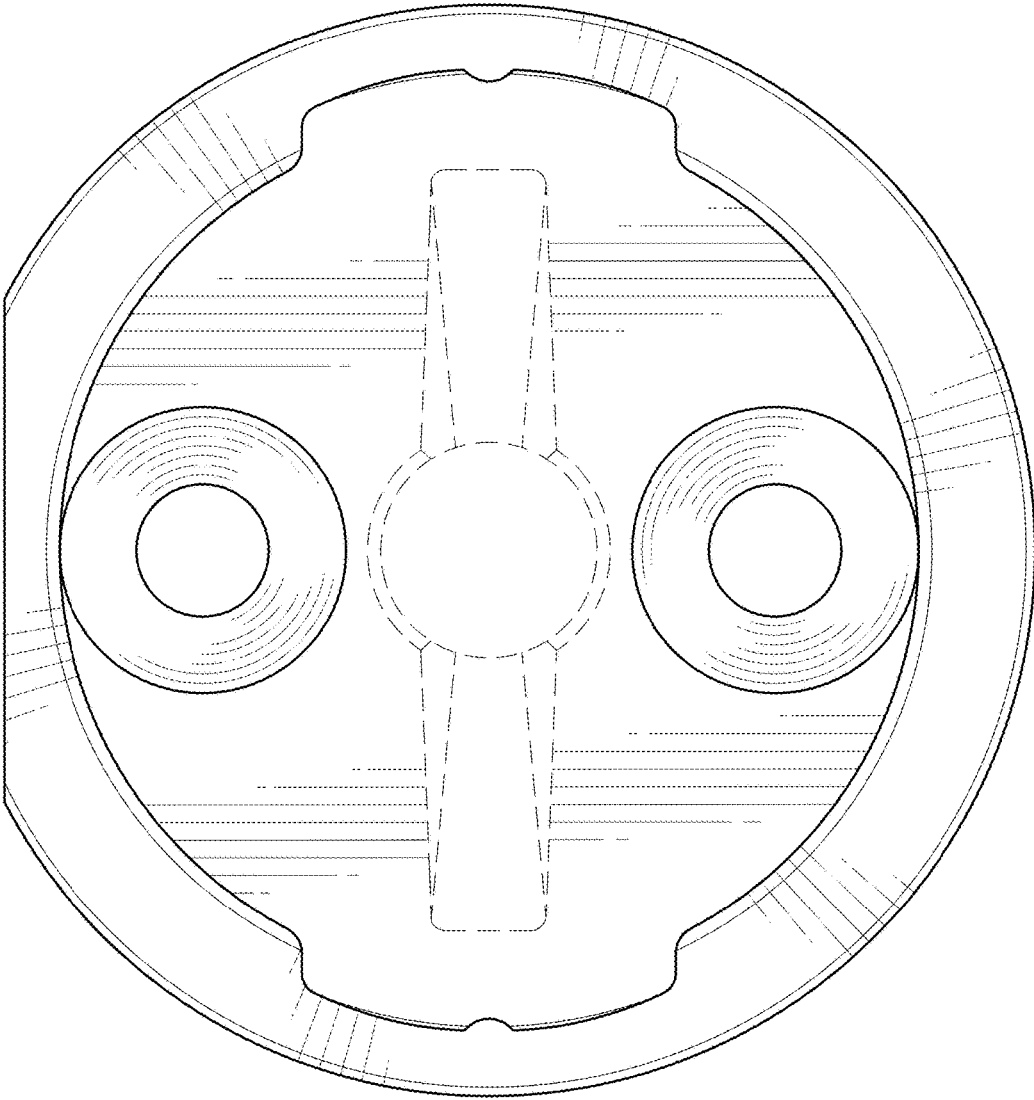


FIG. 7

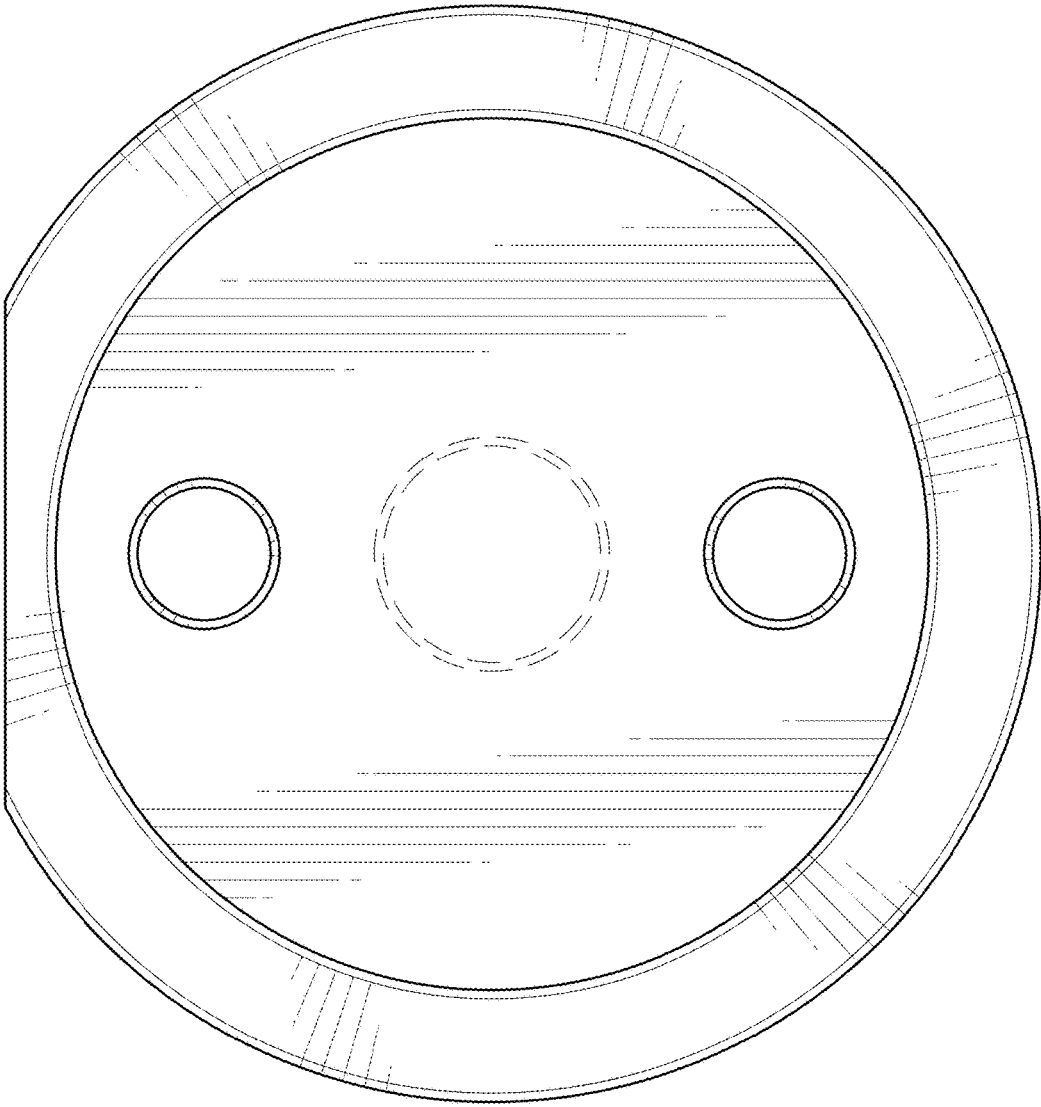


FIG. 8